

STAND **PRIME**

for iPad mini

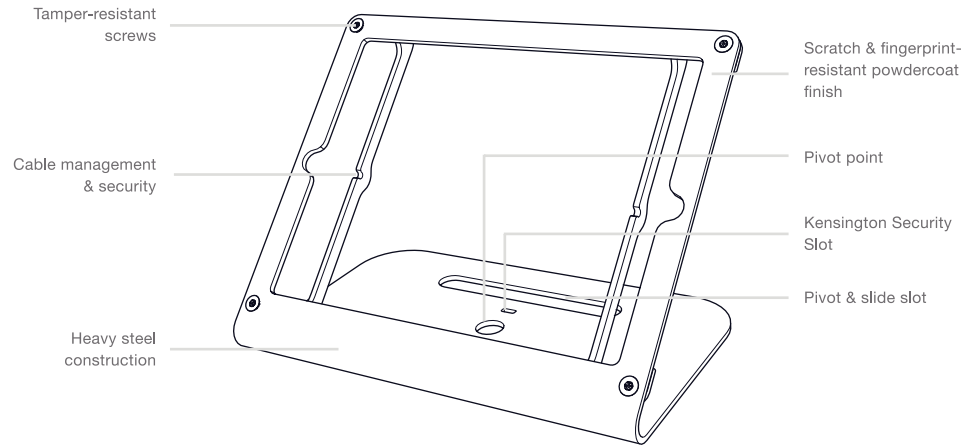


Secure Stand & Display For iPad mini

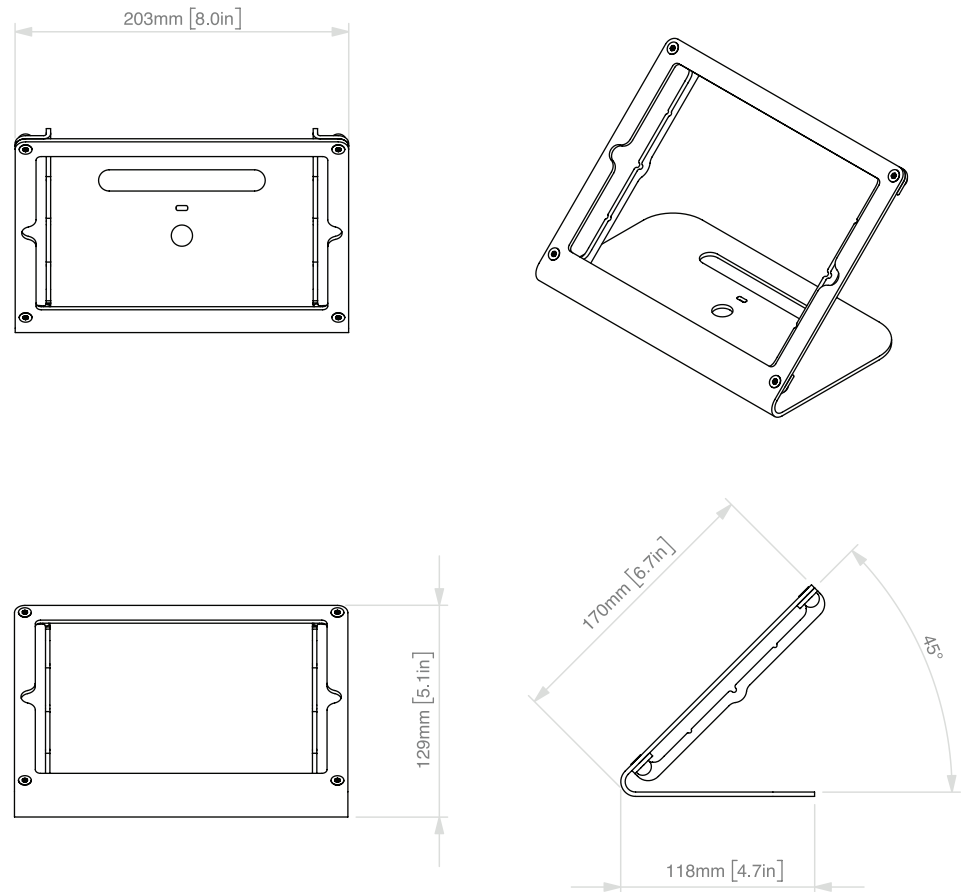
With its diminutive size, you can place a WindFall Stand Prime for iPad mini just about anywhere. It's easy to carry from place-to-place with one hand, so feel free to tuck it under the counter between uses. And because our secure iPad mini stand connects wirelessly to your receipt printer and cash drawer, you can use it as your primary Point-of-Sale tablet stand or as an additional "floating" register in your busy shop. PivotTable Sold Separately.

for iPad mini

Features



Dimensions



for iPad mini

Specifications

Price	\$109
SKU	H434
Height	5.1 inches
Width	8 inches
Depth	4.7 inches
Weight	2.5 pounds
Viewing Angle	45 degrees
Warranty	2 years

Colors

Name	SKU	UPC
Black Grey	H434-BG	600978411831
Grey White	H434-GW	600978411848
Bright Red	H434-BR	600978411855

Compatible Devices

iPad mini 1
iPad mini 2
iPad mini 3
iPad mini 4

In the Box

WindFall Stand Prime
Adapter clips
Assembly tool
Friction feet
Sliding feet

Accessories

T267 - Redpark Gigabit + PoE Adapter for iPad
T245 - Right-angle Lightning Cable
T222 - PivotTable