

CHECKOUT STAND

for iPad



mPOS Stand with Optional iDynamo 5 Support

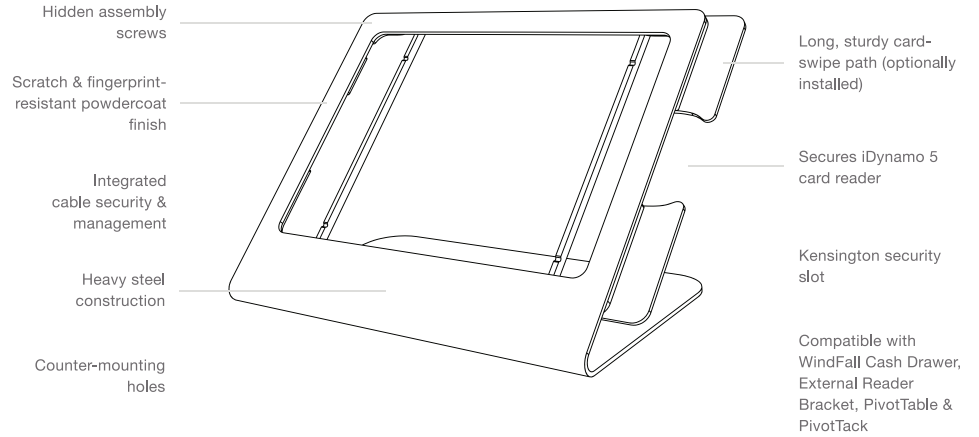
The ideal iPad Point-of-Sale Stand. We've refined our original, patented WindFall Stand design to include optional iDynamo 5 security, an optional sturdy card-swipe path, and hidden screws.

CHECKOUT STAND

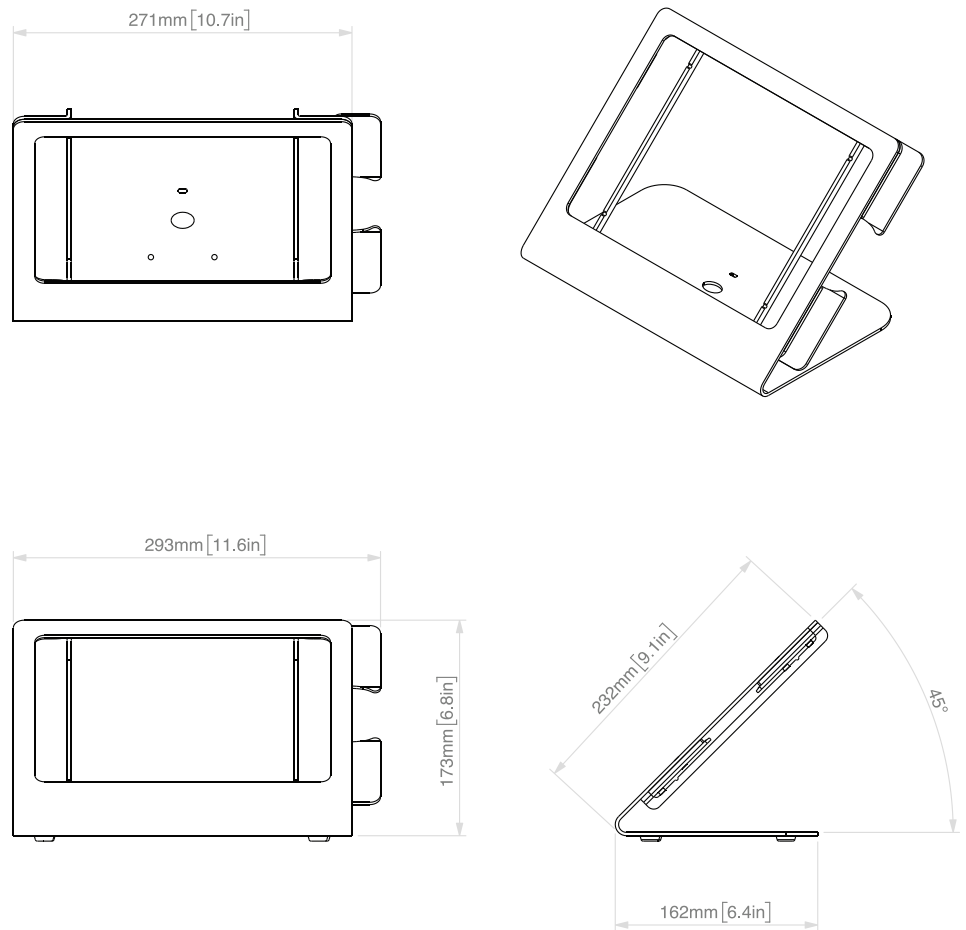
H505

for iPad

Features



Dimensions



CHECKOUT STAND

H505

for iPad

Specifications

Price	\$119
SKU	H505
Height	6.8 inches
Width	11.6 inches
Depth	6.4 inches
Weight	3.85 pounds
Viewing Angle	45 degrees
Warranty	2 years

Colors

Name	SKU	UPC
Black Grey	H505-BG	600978412944
Grey White	H505-GW	600978412951
Bright Red	H505-BR	600978412791

Compatible Devices

iPad Air 1
iPad Air 2
iPad Pro 9.7-inch
iPad (5th Gen)

In the Box

WindFall Checkout Stand
Removable iDynamo 5 swipe and security parts
Assembly tool

Accessories

H509 - External Card Reader Bracket for SecureMag & Dynamag
T267 - Redpark Gigabit + PoE Adapter for iPad
T245 - Right-angle Lightning Cable