

SIDE MOUNT

for iPad



Secure Enclosure for iPad for Room Scheduling

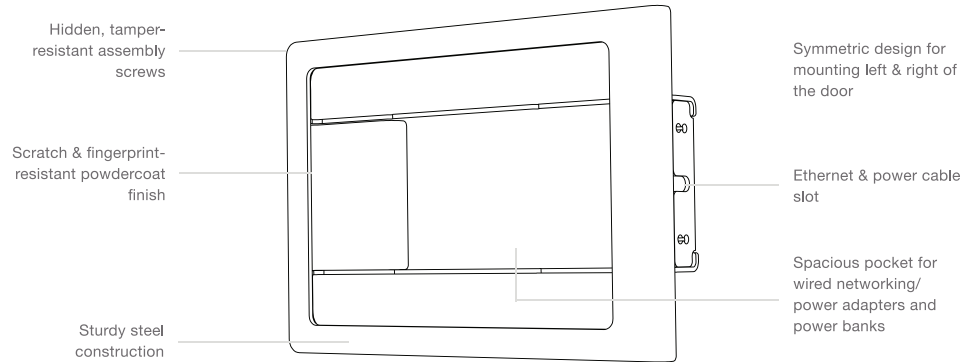
Pretty, simple tablet mounting. Easily mount an iPad outside your conference rooms and meeting rooms to create beautiful scheduling displays. WindFall Side Mount installs to the side of your mullions, features a large, hidden pocket to hide PoE power adapters, networking adapters, and external power banks (all sold separately)—all while maintaining a slim profile. WindFall Side Mount features our incredibly rigid, commercial-grade construction, simple installation, tamper-resistant assembly, fingerprint-resistant, and scratch-resistant powder coat finish.

SIDE MOUNT

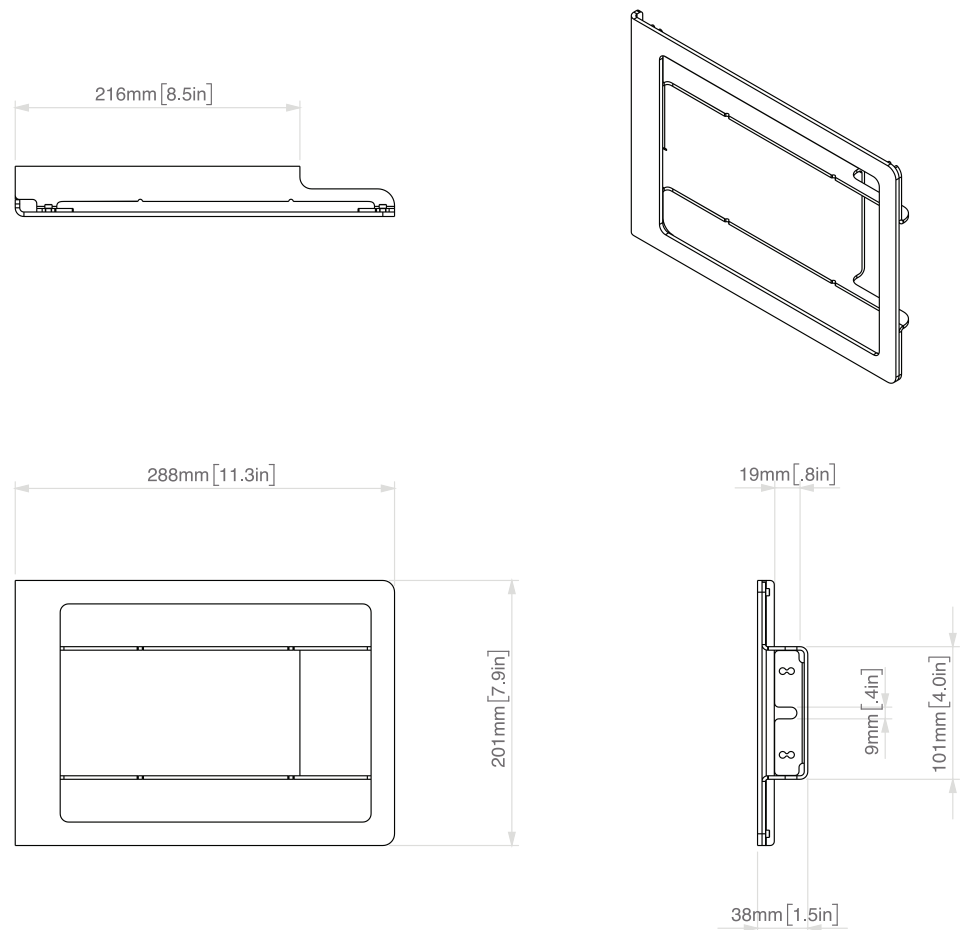
H501

for iPad

Features



Dimensions

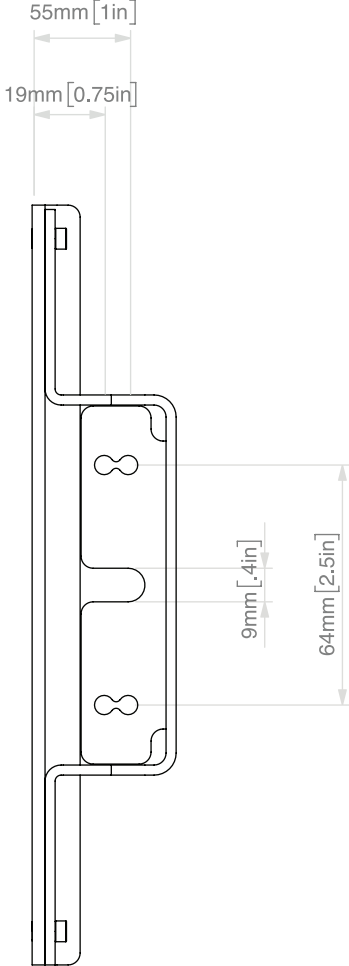


SIDE MOUNT

H501

for iPad

Mounting Hole Pattern



SIDE MOUNT

H501

for iPad

Specifications

| | |
|-----------------|--------------|
| Price | \$149 |
| SKU | H501 |
| Height | 7.91 inches |
| Width | 11.33 inches |
| Depth | 1.5 inches |
| Weight | 3 pounds |
| Warranty | 2 years |

Colors

| Name | SKU | UPC |
|-------------|------------|--------------|
| Black Grey | H501-BG | 600978412913 |
| Grey White | H501-GW | 600978412920 |

Compatible Devices

iPad Air 1
iPad Air 2
iPad Pro 9.7-inch
iPad (5th Gen)

In the Box

WindFall Side Mount
Self-tapping screws for mullion installation
Assembly tool

Accessories

T255 - PoE Splitter with Lightning Cable
T267 - Redpark Gigabit + PoE Adapter for iPad