

# WALL MOUNT

for iPad



## Secure iPad Wall Enclosure & Display

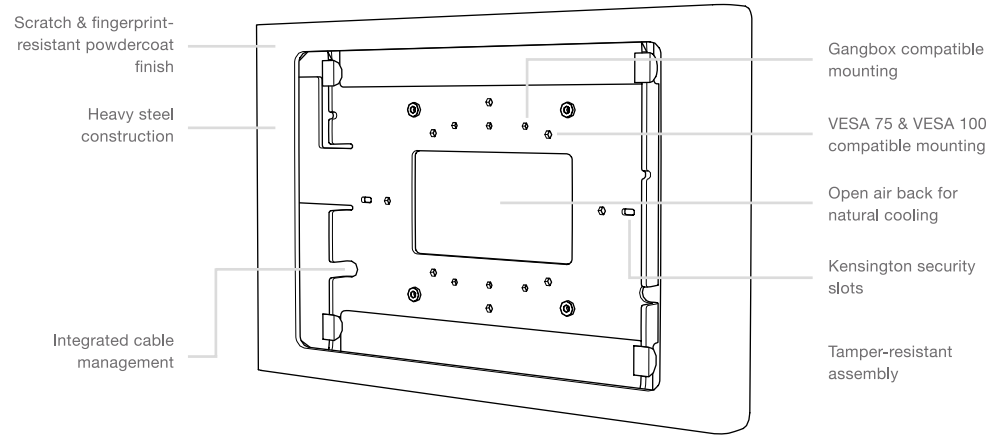
Securely mount an iPad Air or iPad Pro 9.7-inch on any wall – with style. WindFall Wall Mount offers architectural-grade aesthetics, commercial-grade construction, and tamper-resistant assembly. WindFall Wall Mount is perfect for home automation, security camera monitoring, and music control. Pair with a PoE Splitter (sold separately) to keep your iPad powered throughout the day.

# WALL MOUNT

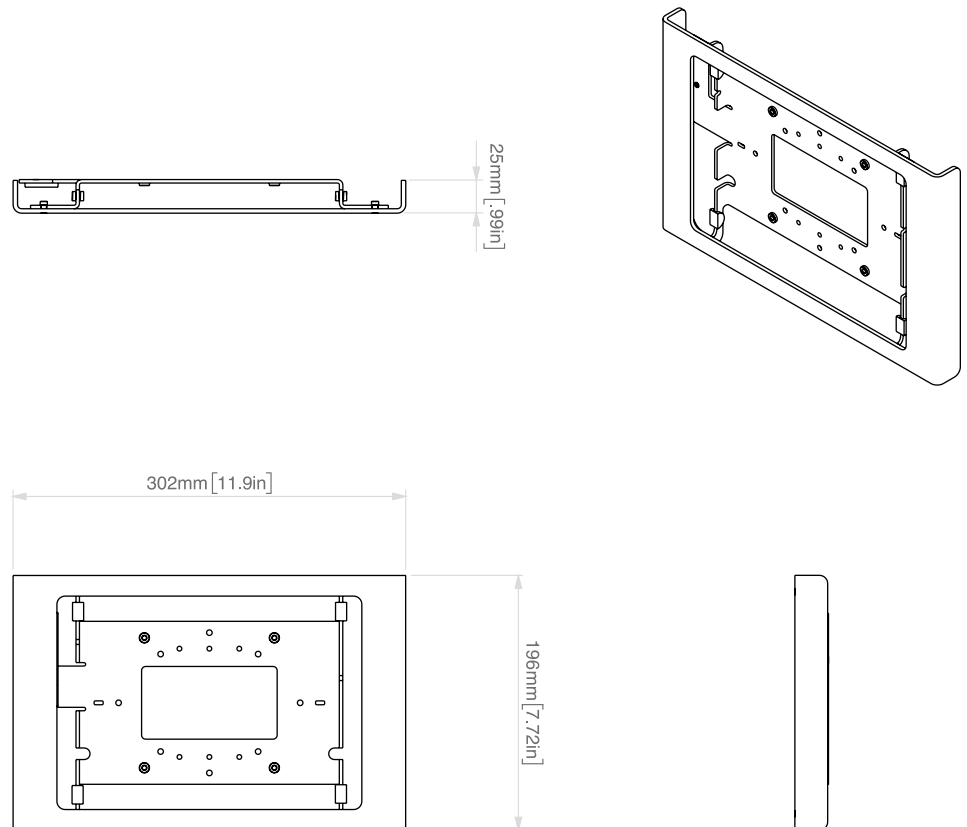
H481

for iPad

## Features



## Dimensions



# WALL MOUNT

H481

for iPad

---

## Specifications

|                 |             |
|-----------------|-------------|
| <b>Price</b>    | \$159       |
| <b>SKU</b>      | H481        |
| <b>Height</b>   | 7.72 inches |
| <b>Width</b>    | 11.9 inches |
| <b>Depth</b>    | 1 inches    |
| <b>Weight</b>   | 3.9 pounds  |
| <b>Warranty</b> | 2 years     |

---

## Colors

| <b>Name</b> | <b>SKU</b> | <b>UPC</b>   |
|-------------|------------|--------------|
| Black Grey  | H481-BG    | 600978412715 |
| Grey White  | H481-GW    | 600978412722 |

---

## Compatible Devices

iPad Air 1  
iPad Air 2  
iPad Pro 9.7-inch  
iPad (5th Gen)

---

## In the Box

WindFall Wall Mount  
Drywall mounting hardware  
Assembly tool

---

## Accessories

T267 - Redpark Gigabit + PoE Adapter for iPad  
T241 - PoE Splitter with Lightning Cable (Direct Install, Power)  
T255 - PoE Splitter with Lightning Cable (Encased, Power + Data)