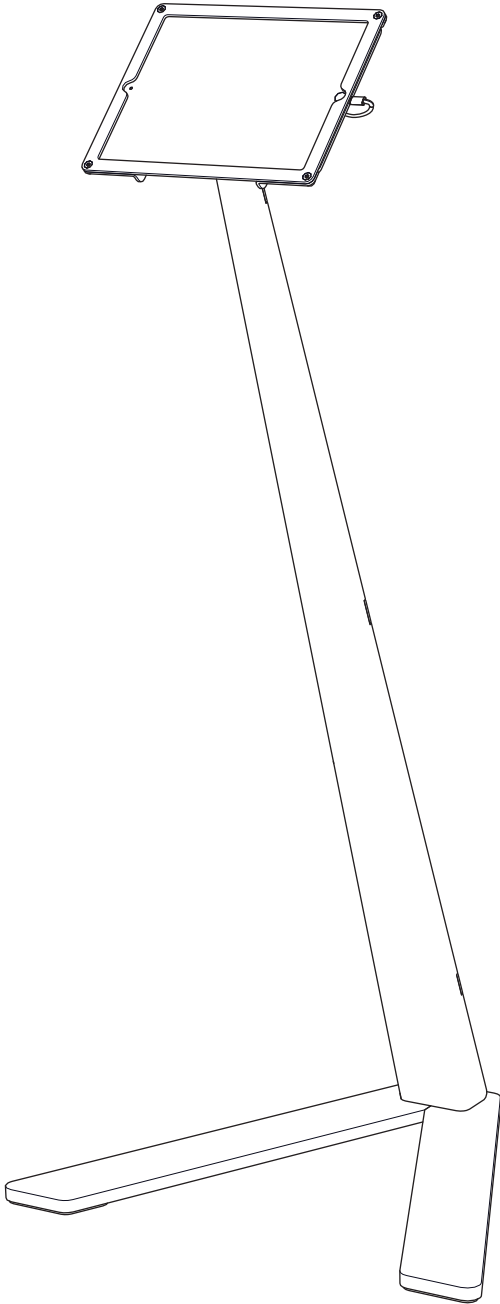


WindFall®



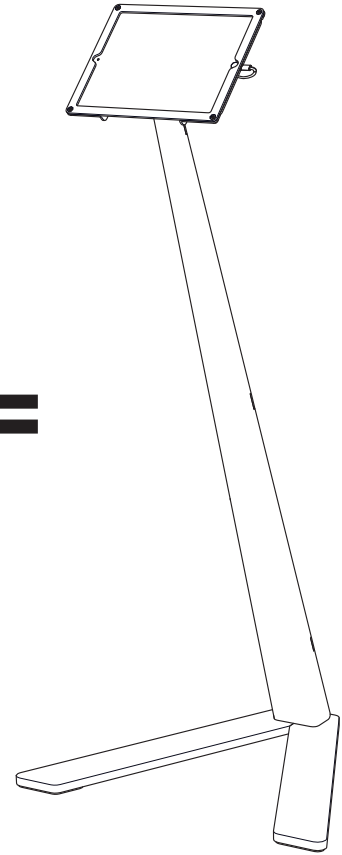
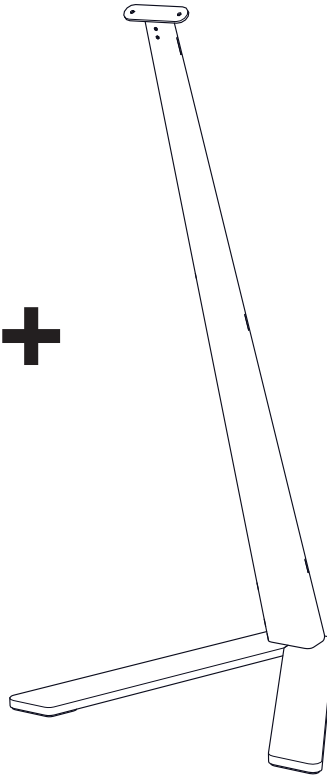
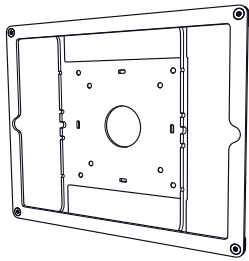
KIOSK

The Beautiful, Secure, Commercial-Grade Tablet Kiosk

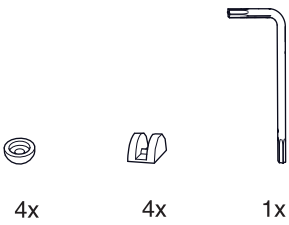


WindFall® Frame
(sold separately)

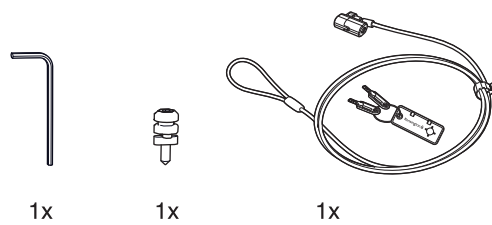
**WindFall® Kiosk
Floor Stand**



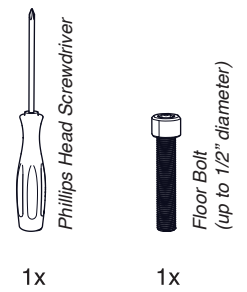
WindFall Frame Hardware
(Frame sold separately)



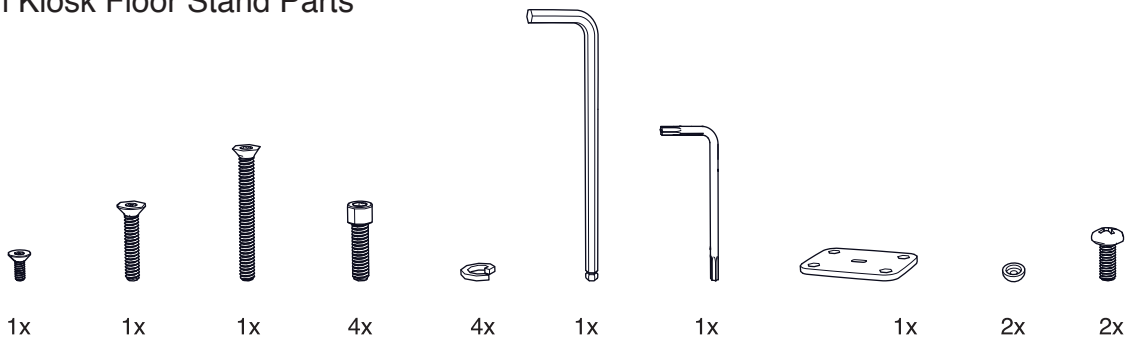
Kensington ClickSafe Cable Lock
(sold separately)



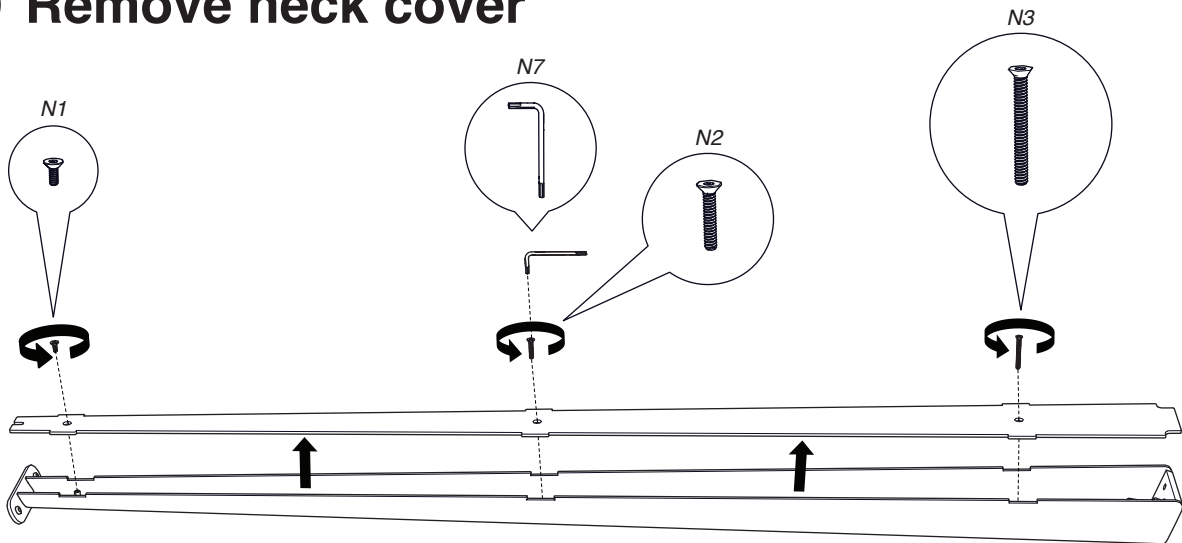
Additional Tools



WindFall Kiosk Floor Stand Parts

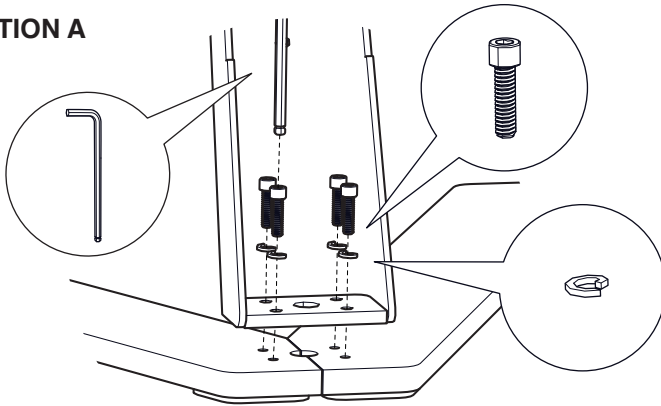


1 Remove neck cover

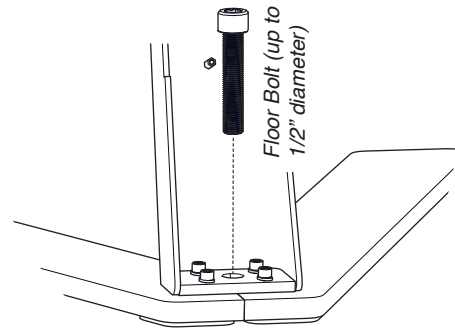


2 Assemble neck to feet

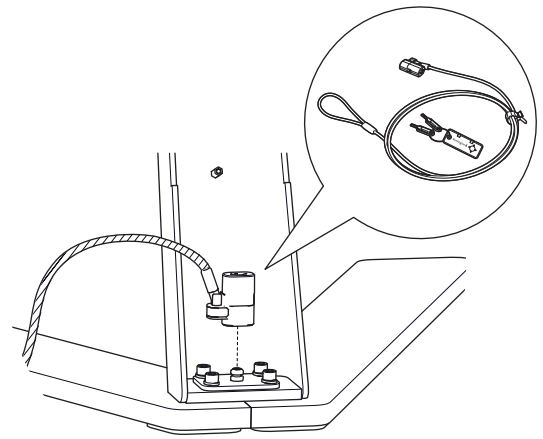
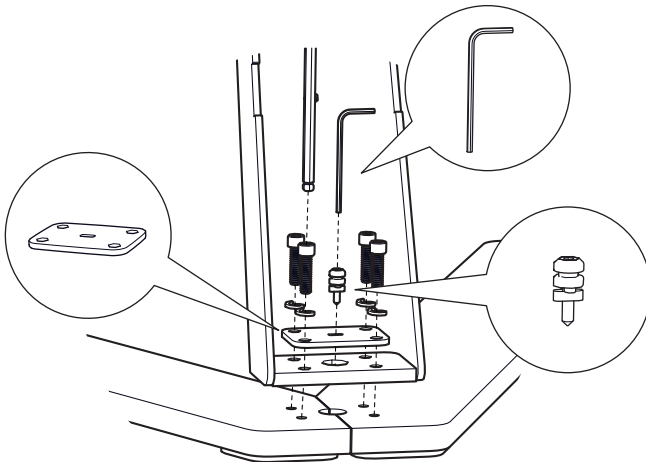
OPTION A



i Professional Installation: to add additional security and stability, consult a professional about installing a floor bolt to secure your Kiosk.

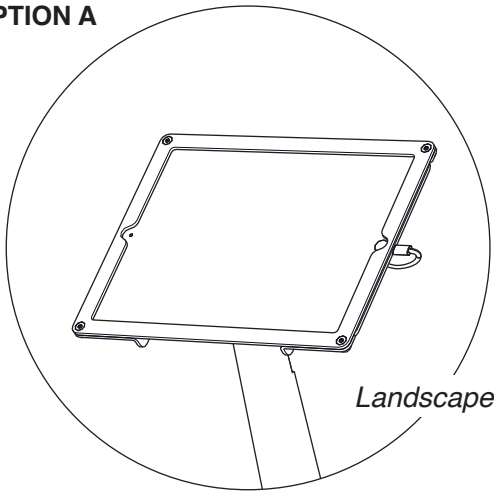


OPTION B

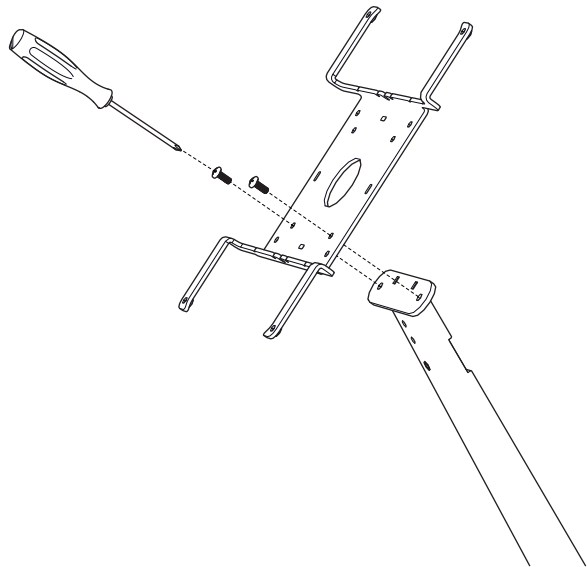
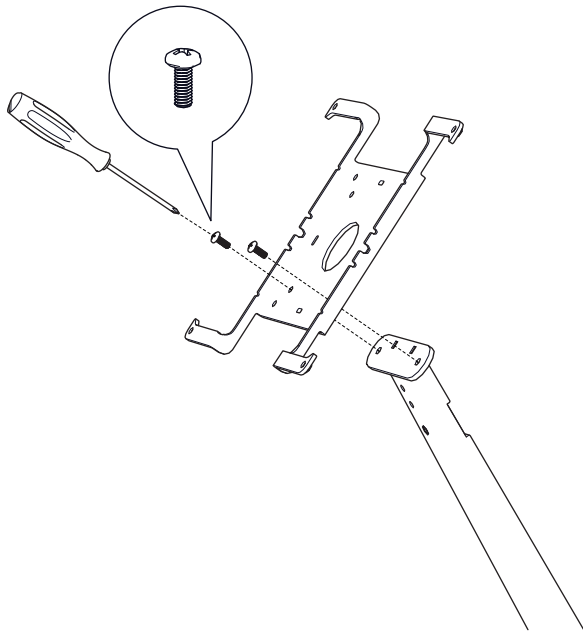
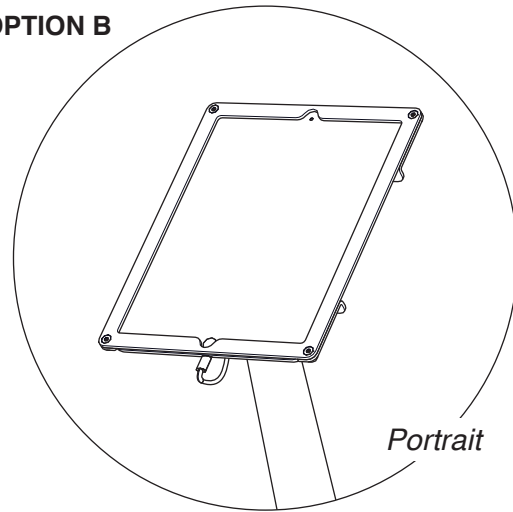


3 Install Frame to Kiosk Floor Stand

OPTION A

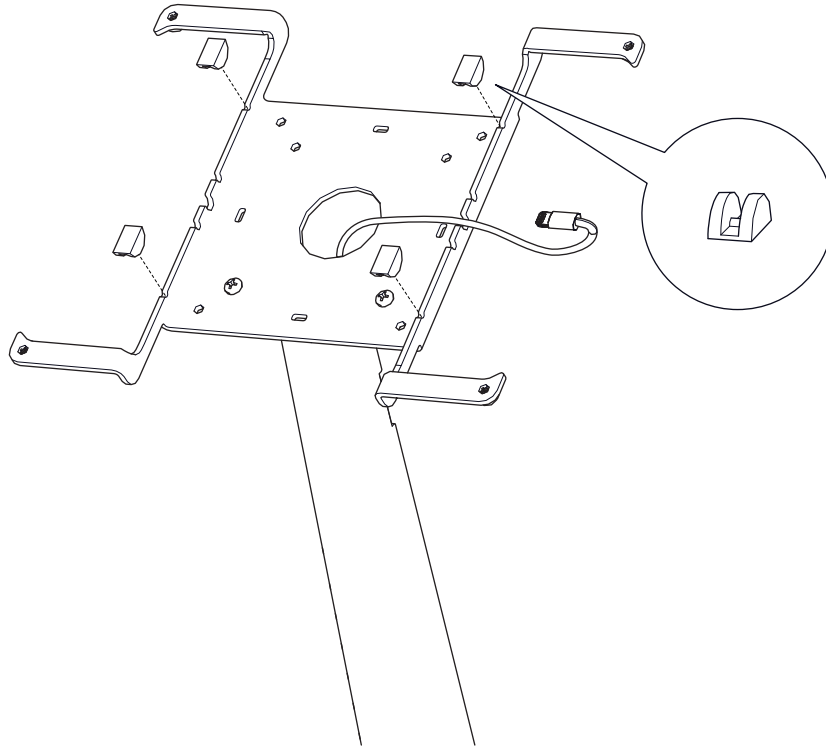


OPTION B

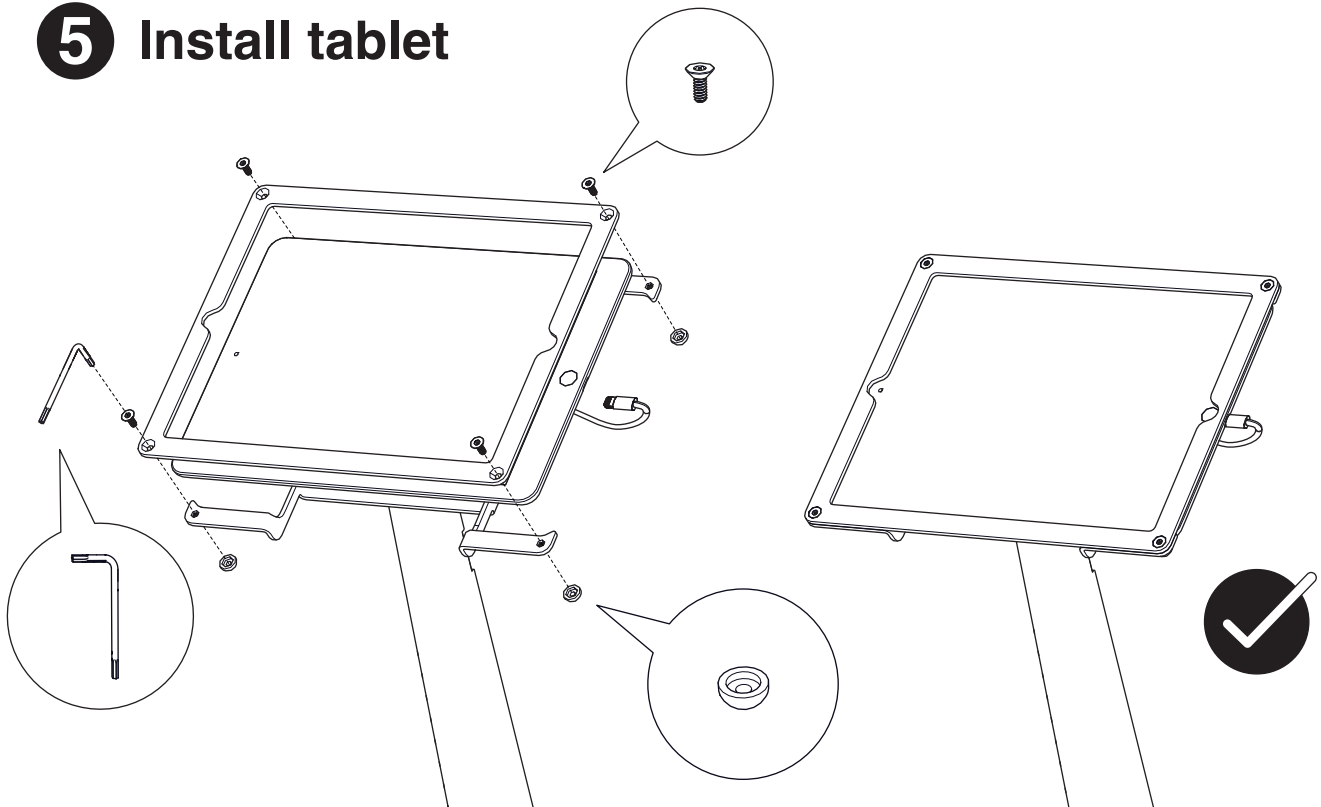


4 Install fit adapters and channel lightning cable

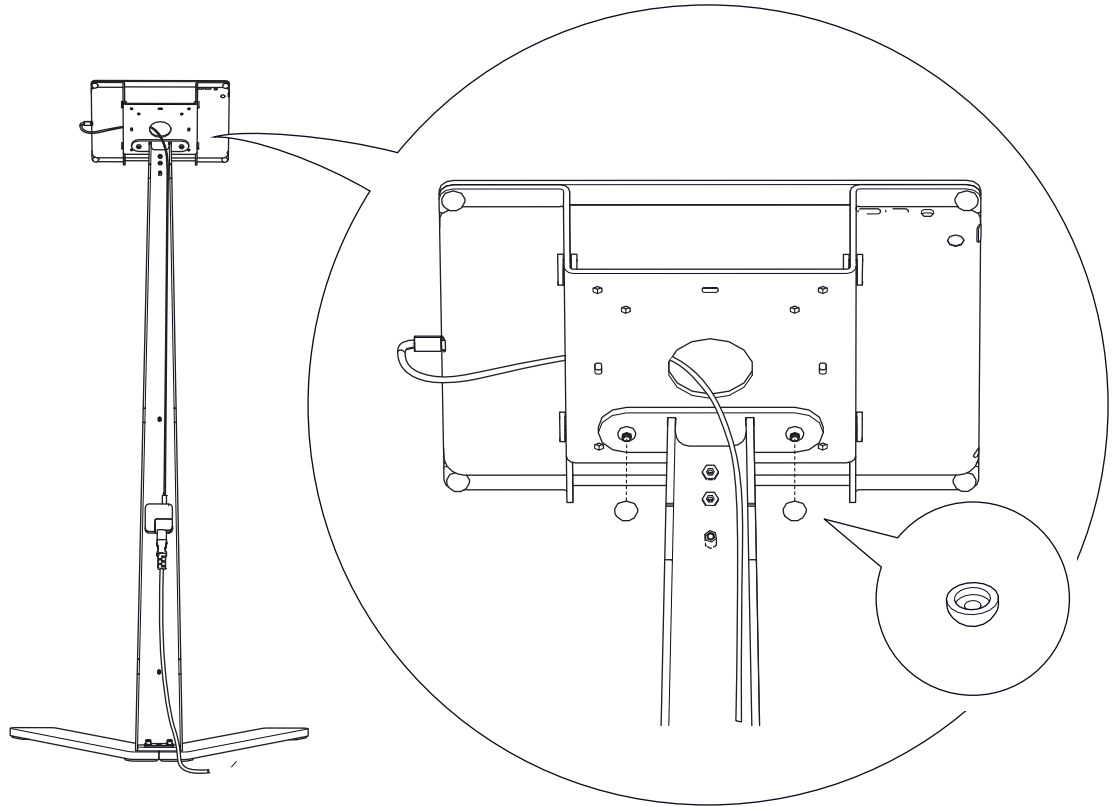
This step is for iPad mini, iPad Air 2, 9.7-inch iPad Pro and Surface Pro 4. Proceed to Step 5 if using another tablet.



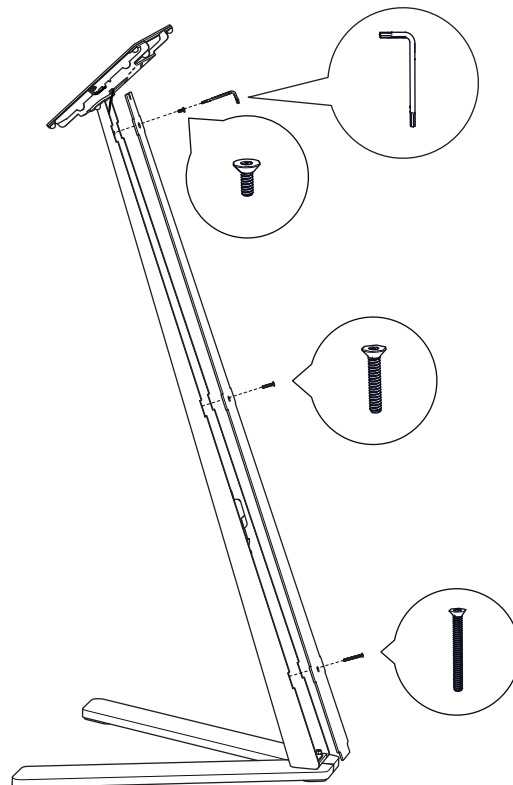
5 Install tablet



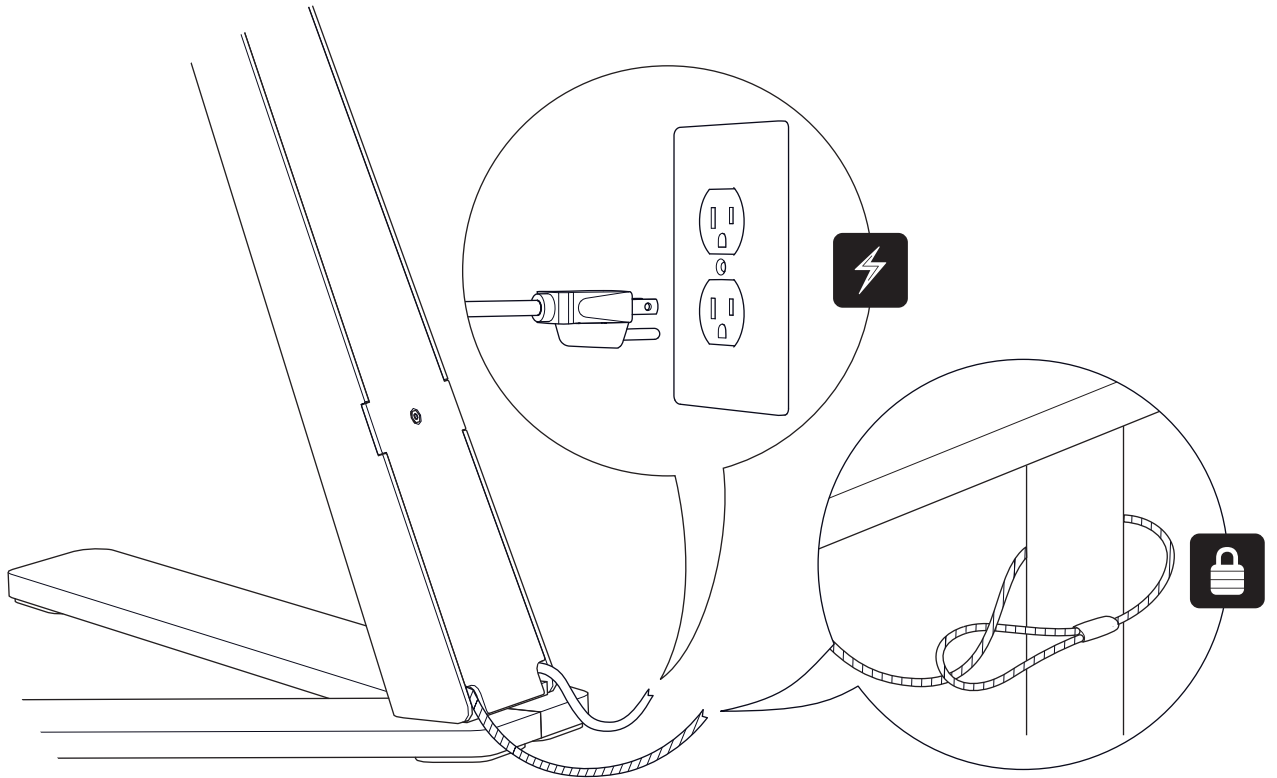
6 Route power cord and install screw caps



7 Reinstall neck cover



8 Route power and Kensington cables



9

