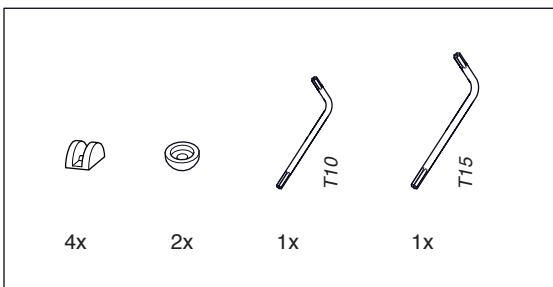


# WindFall® Conference Room MOUNT

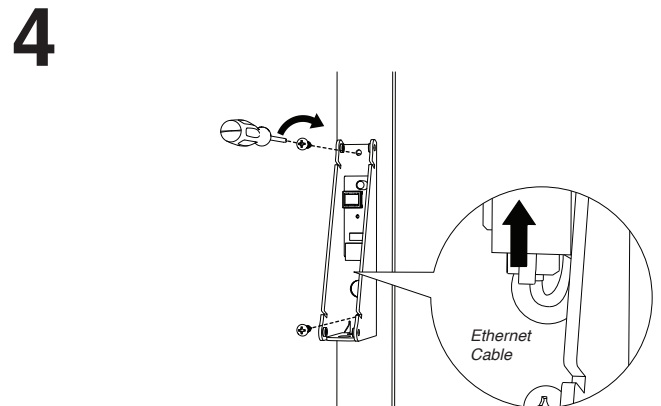
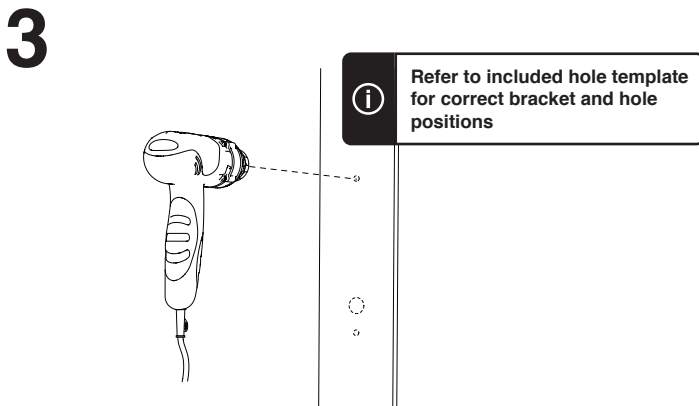
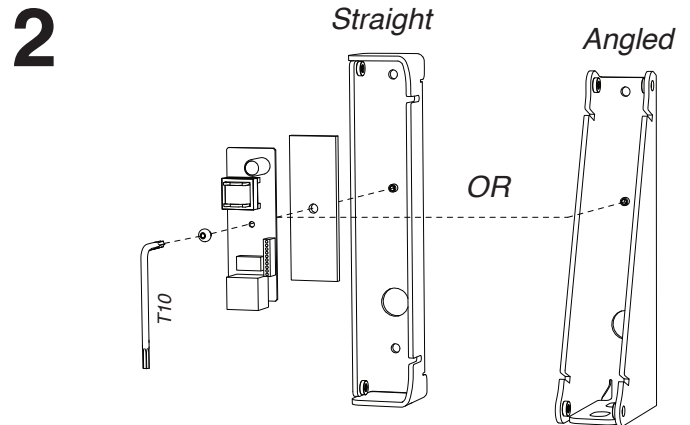
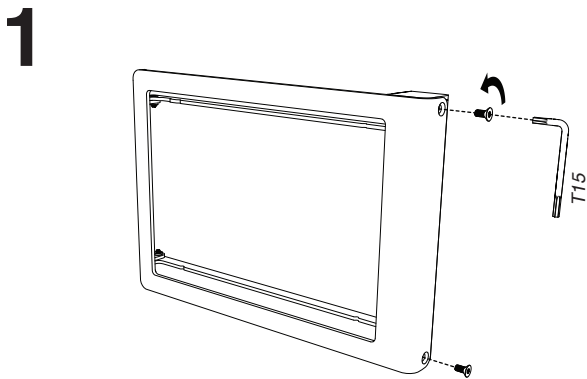
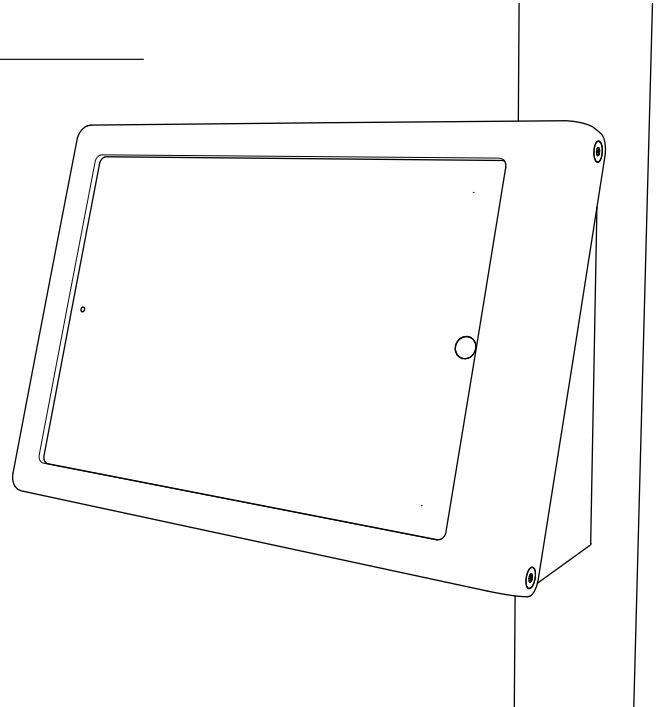


Secure Mounting Frame for iPad Air & 9.7-inch iPad Pro

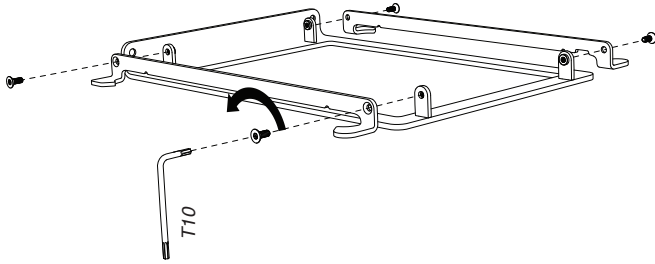
## Assembly & Installation



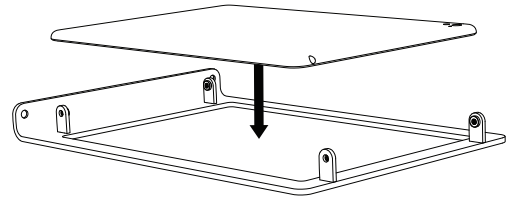
H476 R0



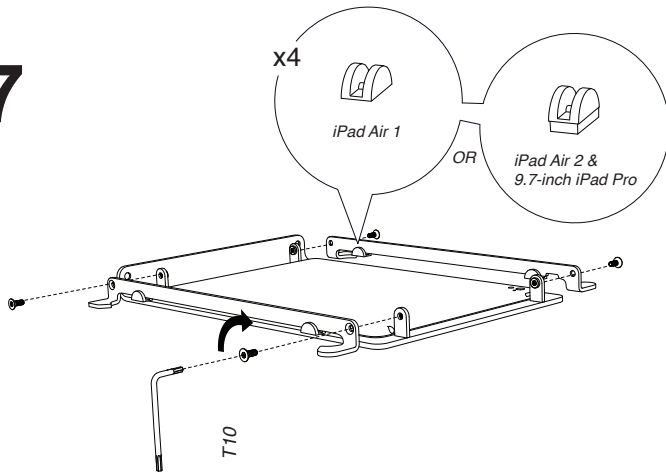
5



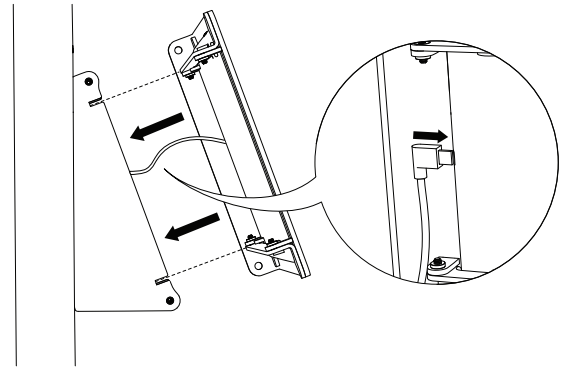
6



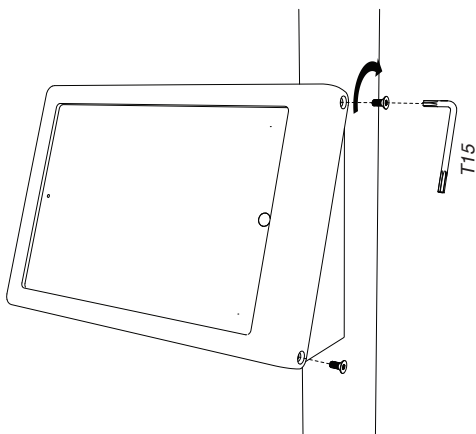
7



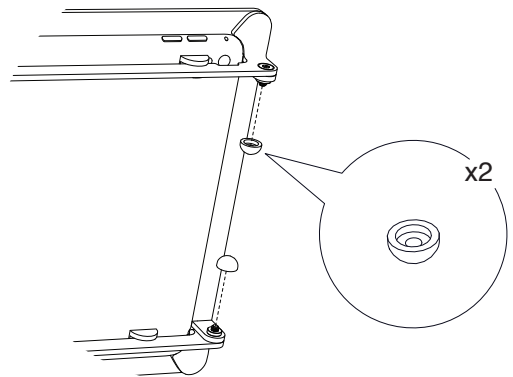
8



9





10



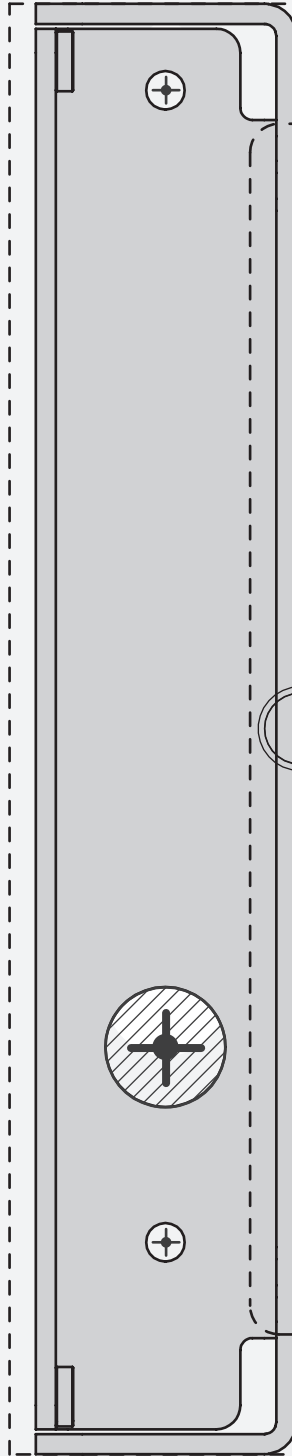
# WindFall Conference Room Mount for iPad Air Installation Template IG476-1

Door Frame  
Alignment Line

Tablet this direction. 


 Mounting Holes  
 Ethernet Cable Hole



6 inches  
5 inches



- For ADA compliance, install with the angled bracket with the top of the screen no higher than 48 inches above the ground.
- When using the supplied Door Frame Mounting Screws through an aluminum door frame, we recommend using a #17 drill bit or a 5/32 inch drill bit.
- Drill a 5/8 inch hole for a network cable with RJ45 connector attached. If installing the RJ45 connector after snaking the cable, a smaller hole can be drilled.

Door Frame  
Alignment Line

Tablet this direction. 

 Mounting Holes  
 Ethernet Cable Hole