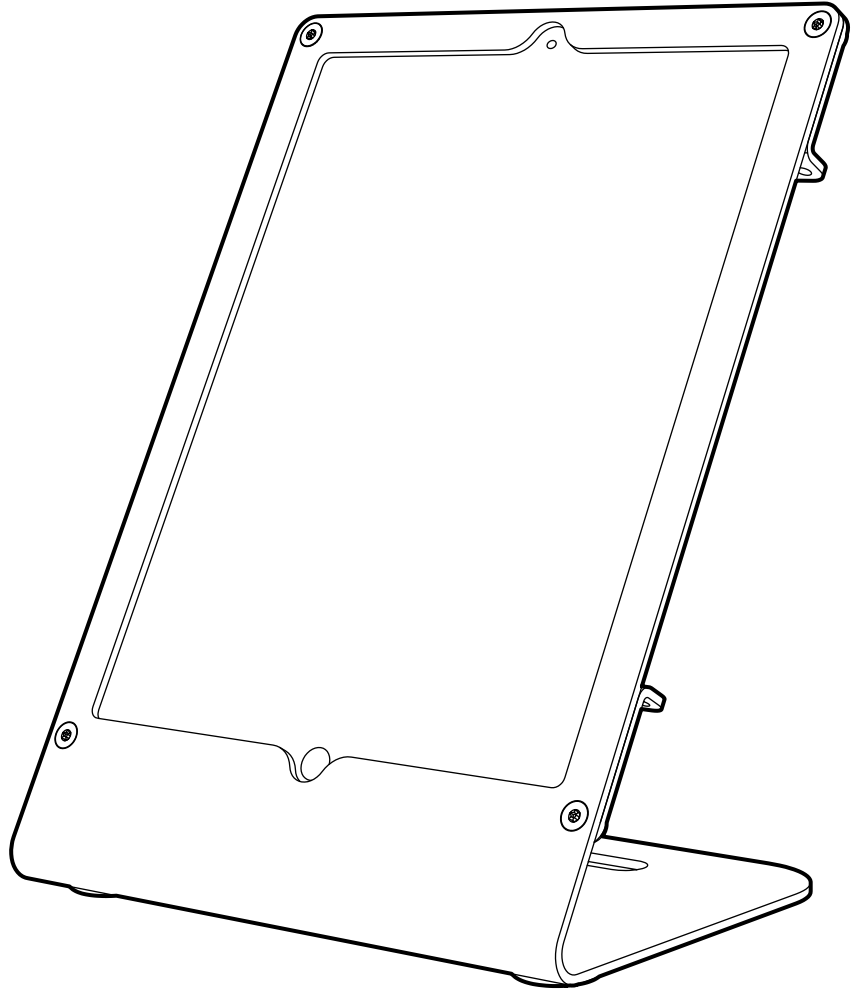


WindFall® STAND PORTRAIT



Secure Stand for iPad in Portrait Orientation with PivotTable

Assembly & Installation



Compatible with:

iPad Air 1

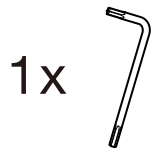
iPad Air 2

iPad Pro (9.7-inch)

iPad (5th generation)

Limited Warranty

Heckler Design warrants your product to be free from defect in material and workmanship for a period of two years from the original date of purchase. Electronic components are warranted to be free from defect for a period of one year from the original date of purchase. If you discover a defect, please contact service@hecklerdesign.com. Heckler Design will repair, at our discretion, using new or refurbished components. If repair is not possible, Heckler Design will replace the item.



T10 Security
Torx Key
F160



Foam for iPad Fit
Adapter Clip
F250



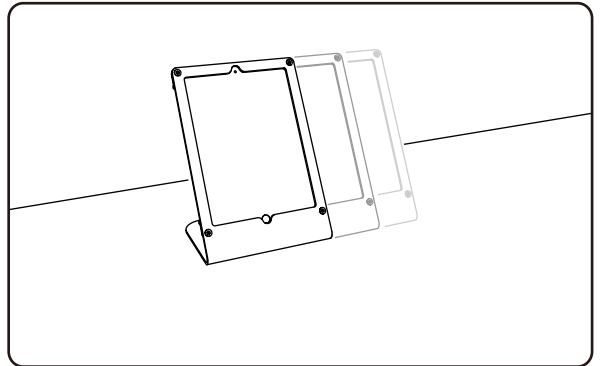
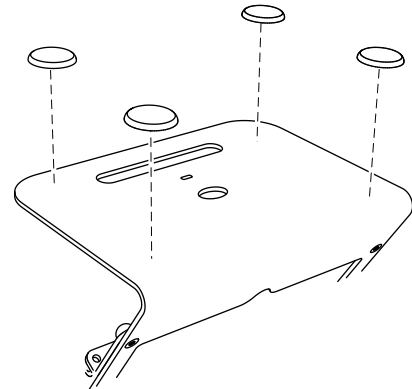
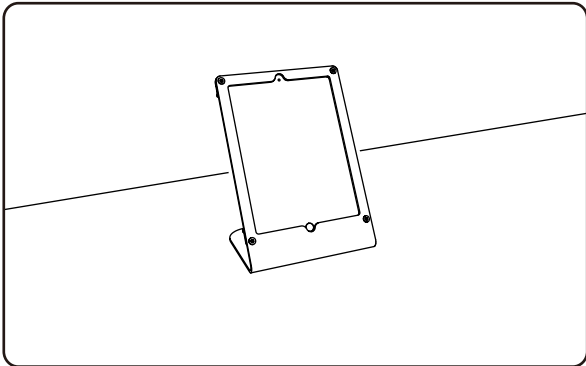
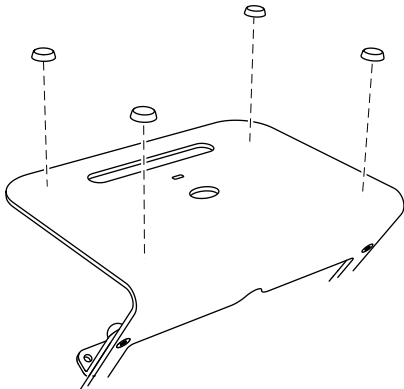
Friction Feet
S130



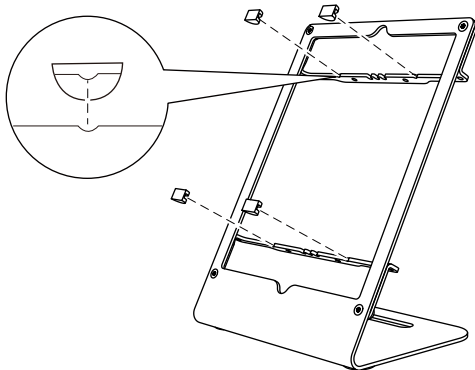
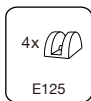
Adapter Clips for
iPad mini 4
E125



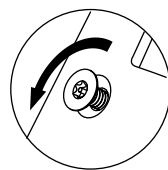
Felt Feet
F581



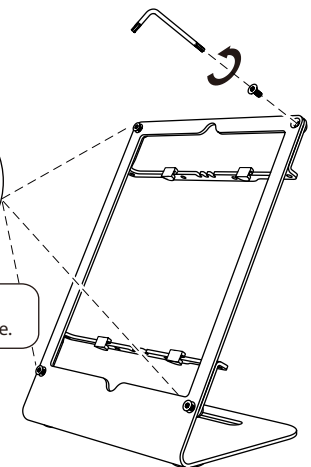
1



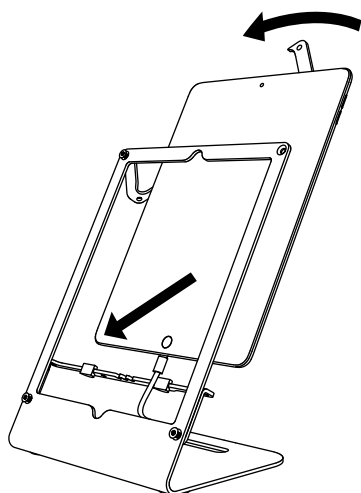
2



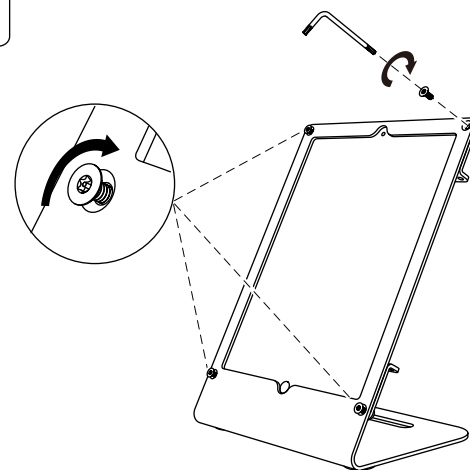
i Loosen, but do not remove.



3



4



5

